

PRECISION Instrument Manifolds

Miniature Gauge Valve P1M Series

PRECISION'S line of miniature valves are available in a broad range of styles to suit any application. Twin ferrule tube end designs are standard offerings, as are panel mount styles. For offshore applications, PRECISION products feature all metal components of 316SS.

Applications

Space and weight saving design ideal for panel applications. Isolate, isolate and bleed, and multiport gauge valve styles available.



Features & Benefits

◆ Each valve is fully tested prior to shipment.

Each Precision valve is tested with nitrogen prior to shipment to maximum working pressure prior to shipment, twice, once after assembly, and again after the valve(s) have been fully opened and closed. All potential leak paths are tested, and each valve/manifold must be bubble tight to pass our stringent quality controls.

◆ Non-rotating ½ round tip ensures bubble tight shutoff

Tip is articulated at the seat, not the shaft/seal area, ensuring bubble tight shutoff for years of trouble free service. Articulating at the tip keeps the stem packing from being damaged by torque caused by misalignment of seat and tip.

◆ Stem is back seated for safety.

Valve stem has a shoulder to prevent accidental removal of stem from valve/bonnet.

◆ Solid, fully machined bonnet lock pin.

Bonnet lock pin is solid, fully machined with no sharp edges that could injure staff, prevents accidental removal of bonnet from body.

◆ Dowel pin to hold handle in place.

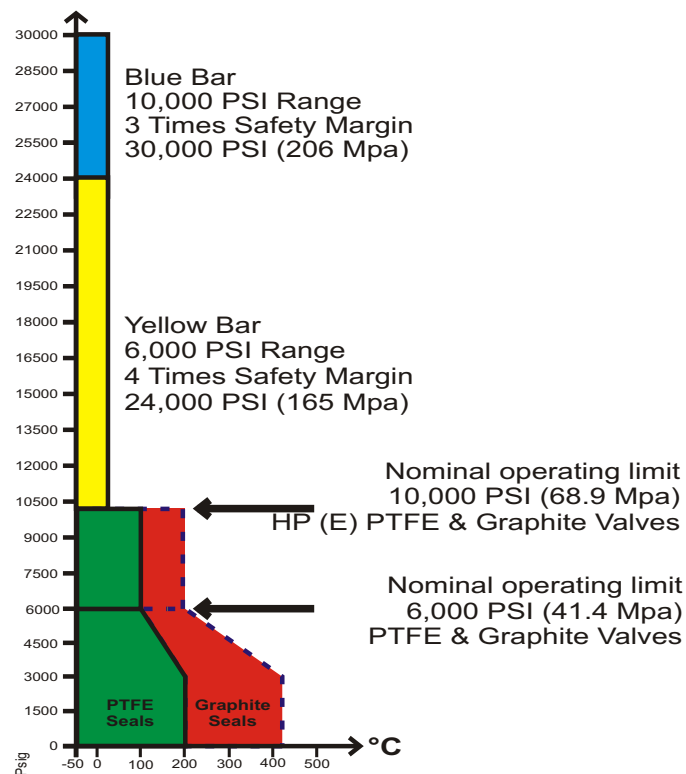
Handle is held in place by bull nosed dowel pin that protrudes into valve shaft to hold handle in place. Handles don't fall off in shipping or in high vibration service.

◆ Full traceability.

Every valve is permanently marked with a batch number that allows all element traceability.

◆ Wide variety of materials.

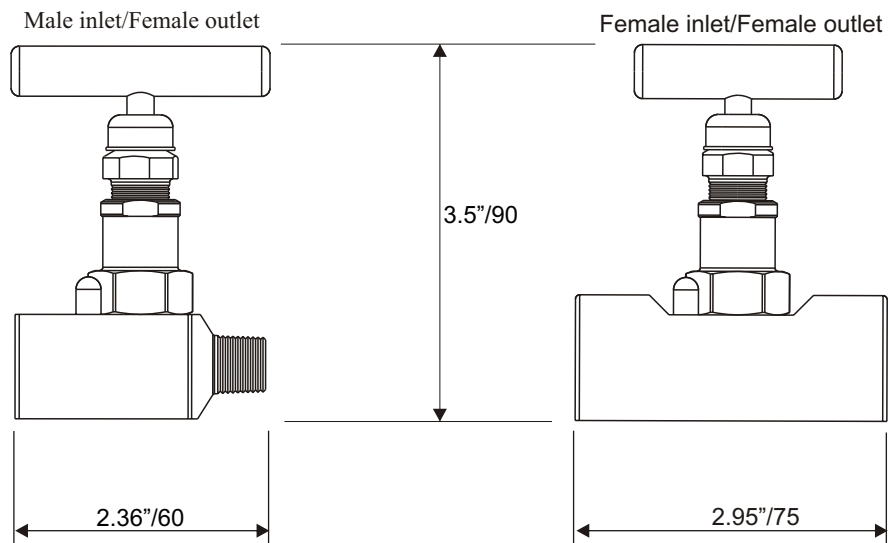
Available in a wide variety of materials of construction, including carbon steel (K), 316 stainless steel (H), 316L stainless Steel to Nace (L). Our stainless steel valves are ALL stainless steel, including handles, valve shafts, and other non wetted parts. *Ideal for use in offshore or other corrosive environments!*



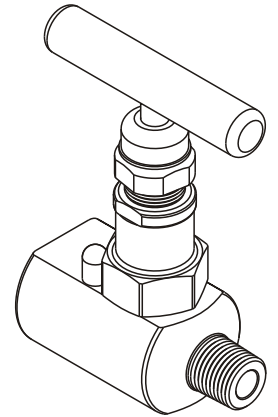
PRECISION Instrument Manifolds

Miniature Gauge Valve Dimensions

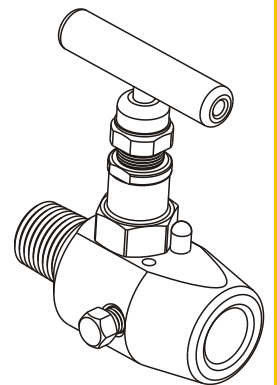
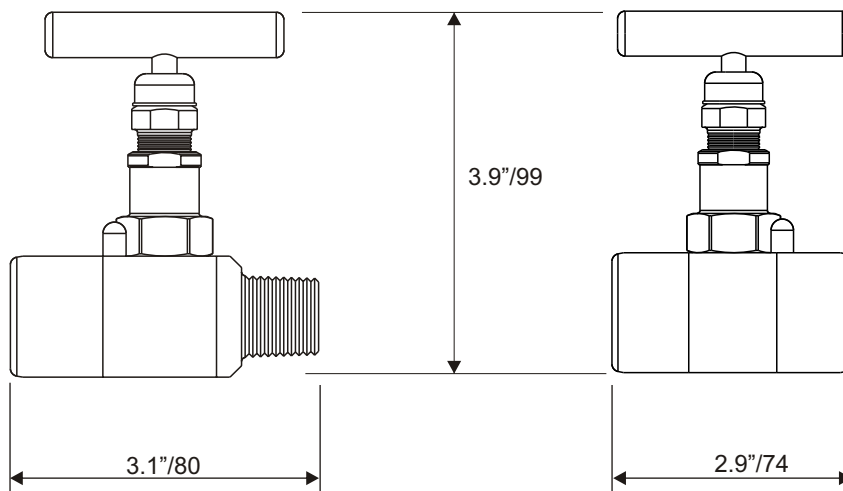
Mini Isolation Valve



Handle turning circle 2.8"/72



Mini Bleeding Gauge Valve



PRECISION Instrument Manifolds

MINI VALVES

Mini Gauge Valve Selection Chart

P 1**M** / **M** 2 **W** 2 **T** **A** **X** **X** **E** H - Options

P for Precision

Manifold Type

1M = Miniature Isolate

1MB = Mini Isolate with Panel Mount

Code Break

Process Connection type

M = Male

W = Female

T = Tube Connector

MT = Metric Tube

Process Connection Size

2 = 1/4" NPT (4 if tube ends)

3 = 3/8" NPT (6 if tube ends)

Instrument/Outlet Connection type

M = Male

W = Female

T = Tube Connector

MT = Metric Tube

Instrument/Outlet Connection Size

2 = 1/4" NPT (4 if tube ends)

3 = 3/8" NPT (6 if tube ends)

Seals

T = TFE

G = Graphite

Bleed/Vent Requirements

A = No bleed

B = 1 Bleed screw in body, downstream

Bleed / Vent Size

X = No bleed

0 = M8 Bleed Screw (standard on Bleeding Gauge Valve)

Handle / Anti-Tamper Options

X = All T Bars **K** = Knob (Stainless Steel, solid, knurled)

Y = Isolate is tamper proof

Pressure Rating

Blank = 6,000 Psig

E = 10,000Psig

Materials of Construction

H = 316SS

Z = Inconel

L = 316L SS NACE

K = Carbon Steel

J = Monel 400

Options available for Mini Valves

X = Special Options, consult Factory



Contact Information



Dynamic Controls & Sensors, Inc.

Postal Address

P.O.Box 5009

Kingwood, TX 77325

Physical Address

1515 Lakeville Dr., Building B

Kingwood, TX 77339

voice: 281-812-9844 Fax: 281-812-9845

www.precisionvalves.net

sales@precisionvalves.net