

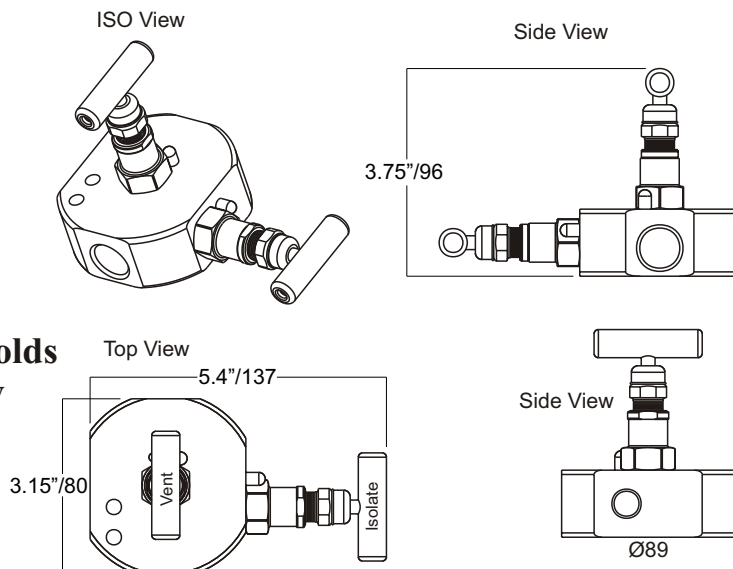
PRECISION Instrument Manifolds

Remote Mount Manifolds NPT Inlet/Outlet

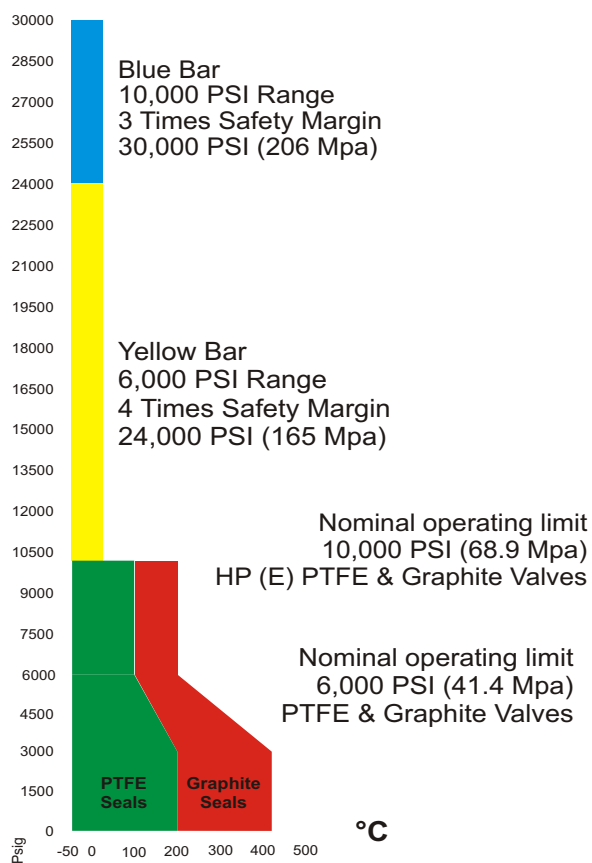
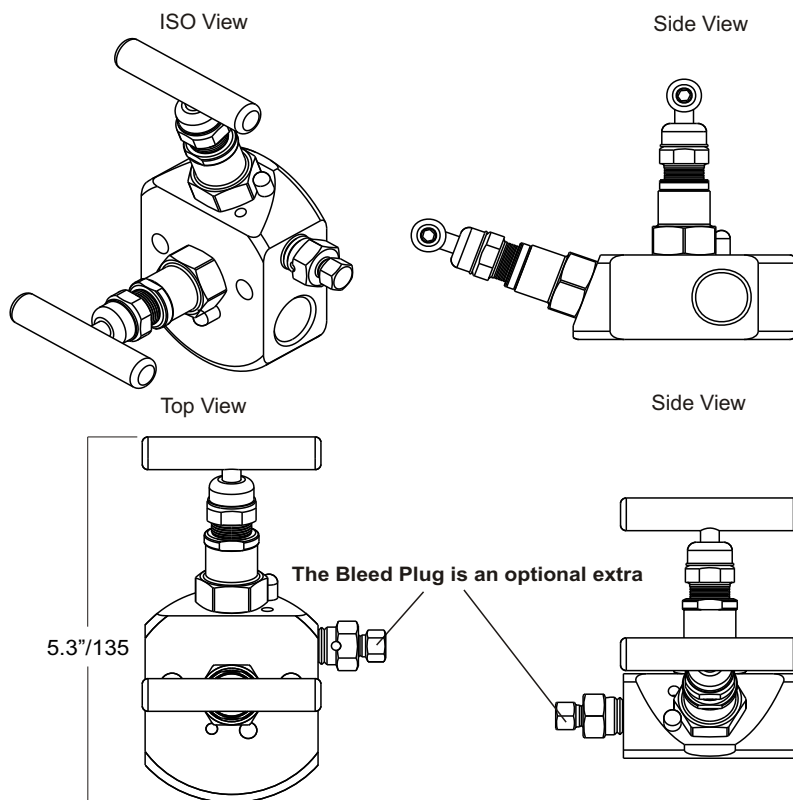
PRECISION Remote mount Manifolds offer flexibility in mounting, featuring FNPT inlet and outlet, they allow the manifold to be mounted remotely from the instrument. The 3 and 5 Valve versions are ideal for mounting differential pressure indicators or differential pressure switches.

All PRECISION remote mount manifolds have the same features and technology of our instrument valves.

P2/A Remote Mount 2 way Manifold



P2/R Remote Mount 2 way Manifold

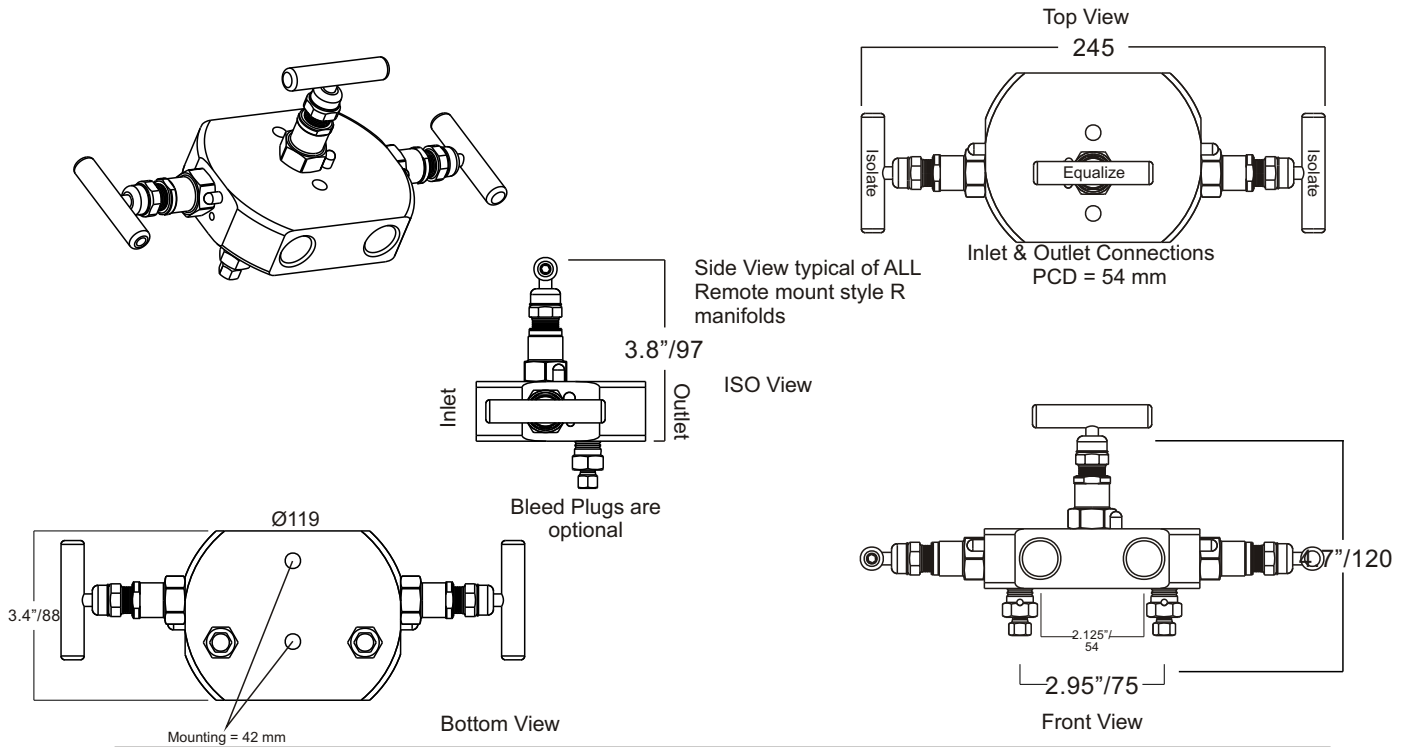


The New Standard in Instrument Valves & Manifolds!

PRECISION Instrument Manifolds

Remote Mount Manifolds NPT Inlet/Outlet

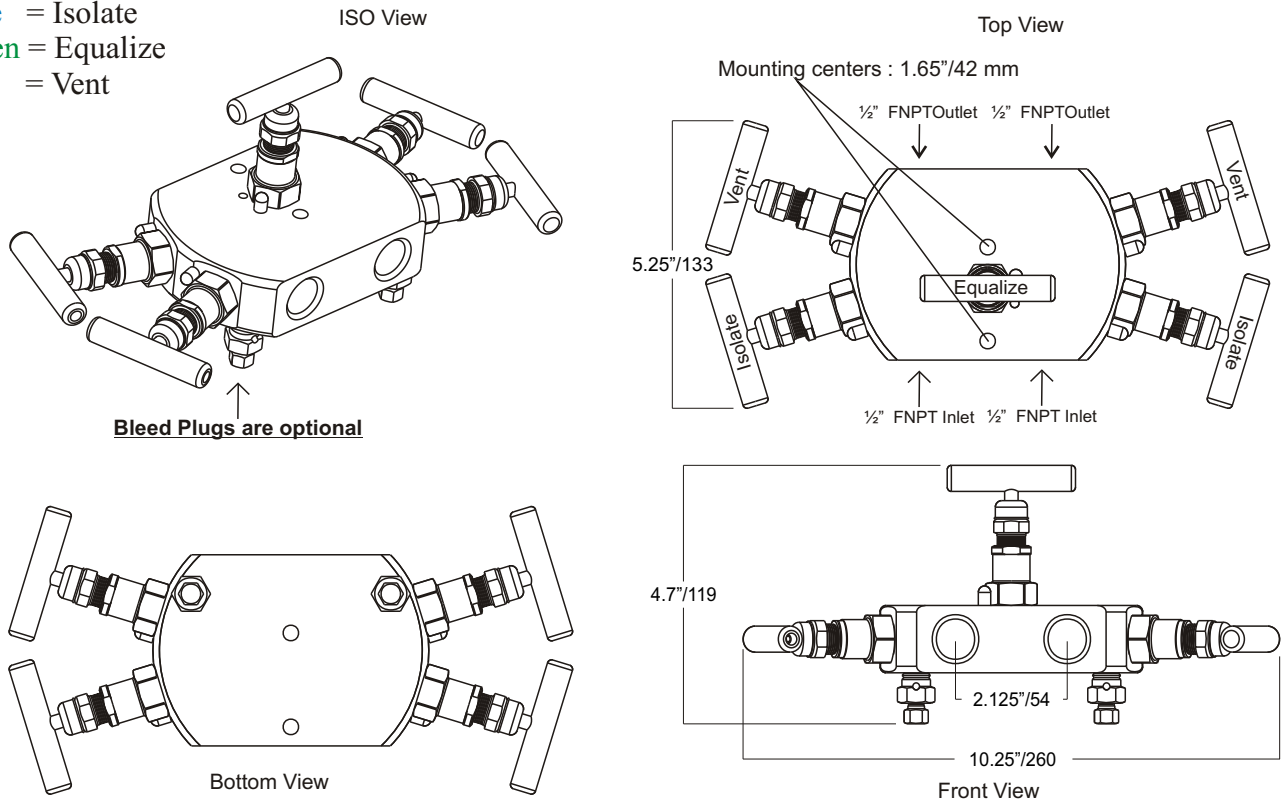
P3/R Remote Mount 3 way Manifold



Valve Head Color Coding

- Blue = Isolate
- Green = Equalize
- Red = Vent

P5/R Remote Mount 5 way Manifold



The New Standard in Instrument Valves & Manifolds!

REMOTE MOUNT MANIFOLDS

PRECISION Instrument Manifolds

REMOTE MOUNT MANIFOLDS

Remote Manifold Selection Chart

P 2 / R T H X X - Options

P for PRECISION or

S for Square stock body

Manifold Type

2 = 2 Valve Manifold

3 = 3 Valve Manifold

5 = 5 Valve Manifold

Code Break

Manifold Type

R = Remote mount, 1/2" FNPT inlet/outlet

A = Remote mount 2 way ONLY

Seal/Packing Material

T = TFE

G = Graphite

Materials of Construction

H = 316SS

L = 316L SS for NACE

J = Monel 400

Z = Inconel 718

K = Carbon Steel

C = H-C 276

Handle Options

X = All are T bars

A = Equalize is Tamper Resistant

V = Vent is Tamper Resistant

U = Equalize & Vent are Tamper Resistant

B = All are Tamper Resistant

Options - Must be placed at end of part number

Q = Bleed Port with Bleed Plug on bottom/back

OX = Oxygen Clean

Example - P3/RTHXX-Q

P3/R PRECISION 3 Way remote mount manifold

T Teflon seals/packing (200 Deg. F rating)

H 316SS, including non-wetted trim

X All T bar handles

X 1/2" FNPT inlet/process, outlet/instrument connections

- Break if options added

Q 1/4" FNPT Bleed Ports with Bleed Plugs on Back/Bottom



Contact Information



Dynamic Controls & Sensors, Inc.

Postal Address

P.O.Box 5009

Kingwood, TX 77325

Physical Address

1515 Lakeville Dr., Building B

Kingwood, TX 77339

voice: 281-812-9844 Fax: 281-812-9845

www.precisionvalves.net

sales@precisionvalves.net